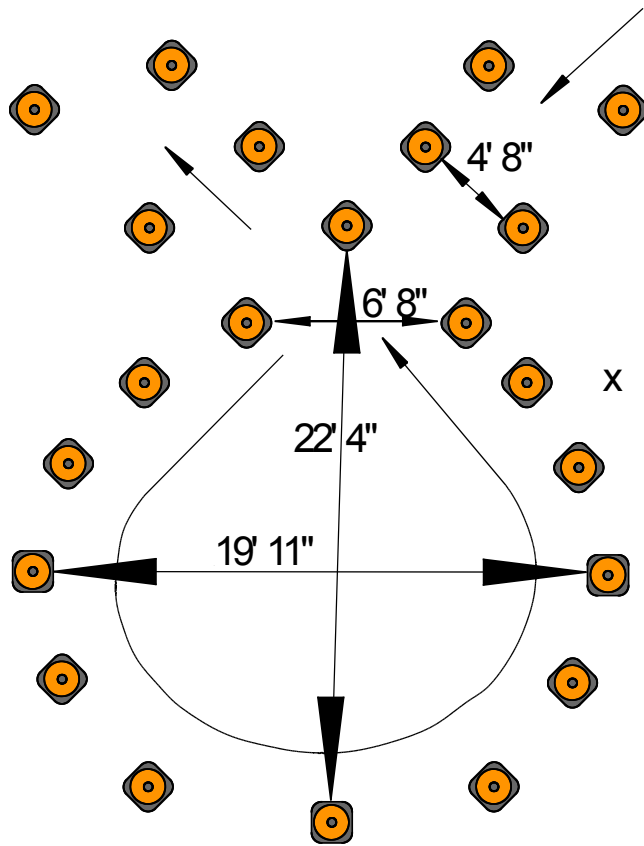
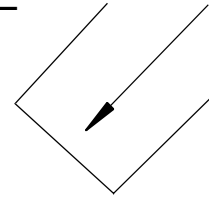


SAN BERNARDINO COUNTY SHERIFFS

**MOTORCYCLE TRAINING BASIC COURSE
FOR BMW'S - HONDA'S - HARLEY'S
LEFT AND RIGHT
SIDE KEYHOLE**



Students line up
approximately
20' from first cones,
enter the gate that
the instructor indicates

**INSTRUCTORS POSITION
IS INDICATED BY " X "**